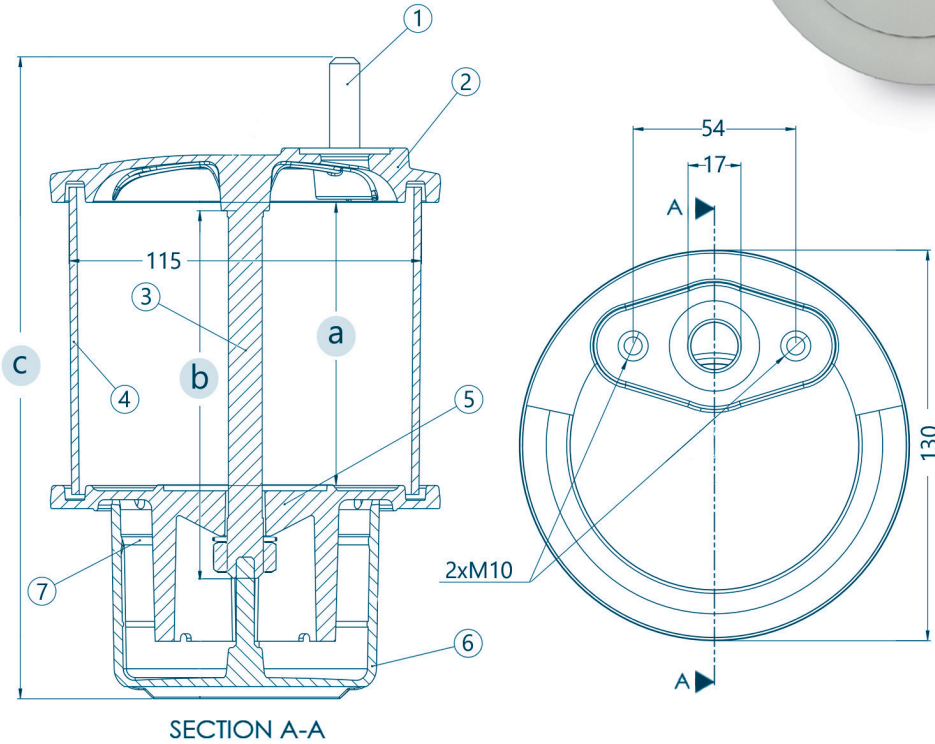



رطوبت گیر ترانسفورماتور

Transformer Dehydrating Breathers

- The transformer dehydrating breather removes practically all moisture from the air that flows into the conservator when the transformer is cooling down.
- This largely prevents any reduction of the dielectric strength and the formation of condensation in the expansion tank.
- Thus, the dehydrating breathers increase the operational safety of transformers.



Part No.	Description	
1	Mounting bolts	A2-70
2	Top section	Aluminum
3	Bolt (bridging plug)	St37 (Galvanized)
4	Cylinder	Polycarbonate
5	Bottom section	Aluminum
6	Oil bowl	Polycarbonate
7	Sealing gasket	(Anti UV polymer)

Forms	Silica gel capacity (Kg)	Cylinder Height (mm) (a)	Bolt (bridging plug) Length (mm) (b)	Main height (mm) (c)
1	0.5	100	120	207
2	1	180	200	287

