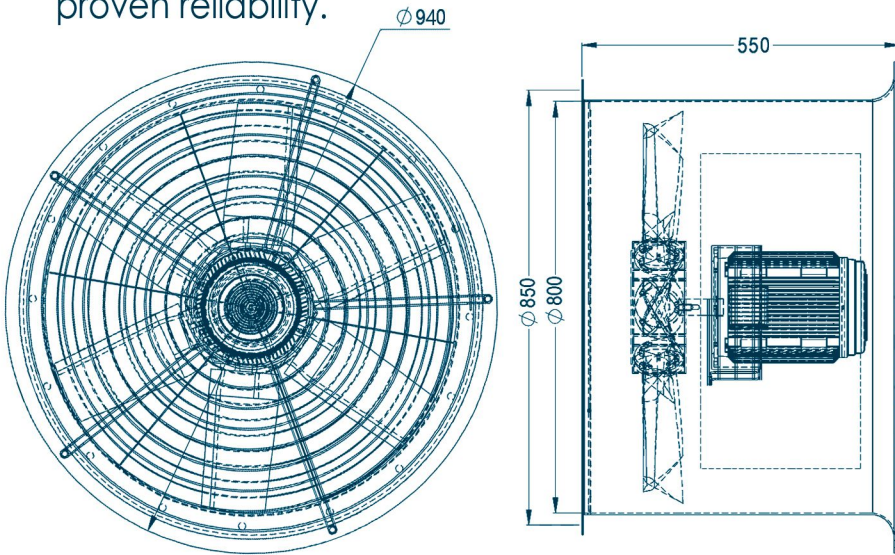


## فن فنک کننده ترانسفورماتور Ø800

### Transformer Cooling Fan

- Transformer Cooling Fans are designed for long and dependable service , used in cooling transformers.
- This Cooling Fans are intended for outdoor use and are designed to withstand harsh weather conditions.
- They have an excellent performance and a proven reliability.



#### ROUTINE TEST:

Active input power	ISO 5801
Revolutions Per Minute	ISO 5801
Vibration intensity in the external environment of the fan frame	ISO 14694 (BV - 3) or ISO 10816-1 (class1 zone B)
Tolerance current	ISO 2768 IEC 60034 -1

#### TYPE TEST:

characteristic curve	ISO 5801
noise measurement	ISO 13347-3

Part No.	DESCRIPTION
1	Outlet Mesh $\varnothing$ 3mm , ST 37 (Zinc coated + Painted) IP 2X
2	Electro Motor 2.2 kw , 930 rpm , IP 55
3	Casing ST 37 , Galvanized+ painted
4	Impeller Alluminium Alloy , Z=6
5	Inlet Mesh $\varnothing$ 3mm , ST 37 (Zinc coated + Painted) IP 2X
Air Flow at free blowing 7.2 m <sup>3</sup> /sec	
Consumption power 2 kW	
Sound pressure level 76 dB	
Fan vibration level BV-3	
Consumption current 3.5 A ( $\rho=1.2$ kg/m <sup>3</sup> )	

