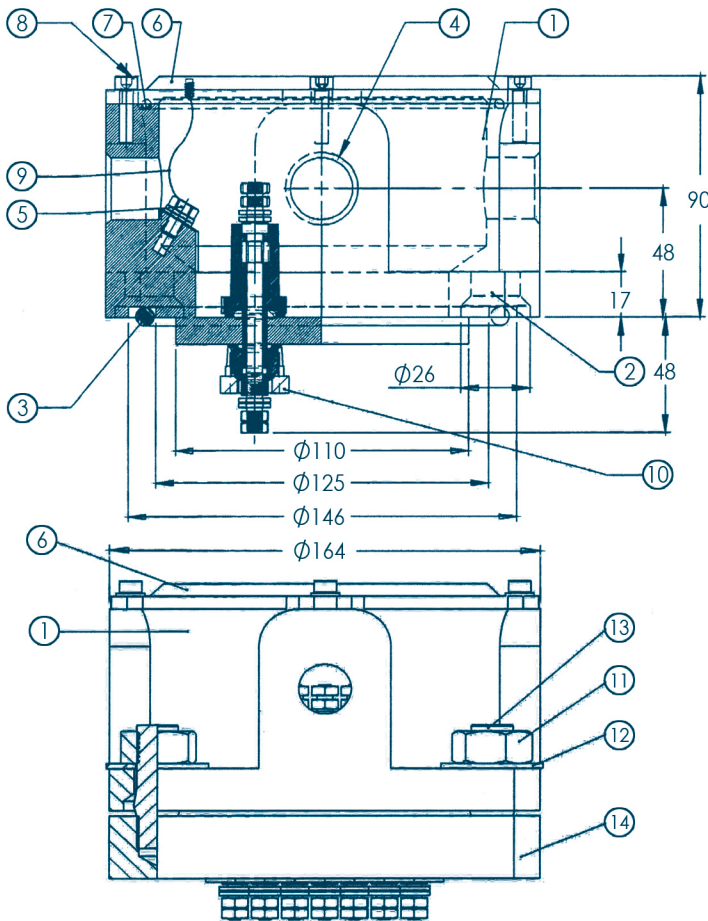


جعبه تقسیم ترانس بریان

C.T. Terminal Box

- Terminals up to 12
- Protection degree: IP65
- Terminal box body: Aluminum
- Terminals: Polyamide 6.6
- Powder coat with polyester resin according to the ITQ-MP03-01 standard for air side.



Part No.	Description	Z.I.C
1	Terminal box body	Aluminum
2	Mounting flange	
3	O-ring $\text{Ø}125 \times 7$	NBR
4	Cable Entry	up to PG29
5	Earth Screws	A2-70
6	Terminal box cover	Aluminum
7	Cover O-ring	NBR
8	Cover Screws	A2-70
9	Cover holding string	1x4 (150mm)
10	Terminals	Polyamide 6.6
11	M16-Hex nut	A2-70
12	M16-Washer	A2-70
13	M16x25 DIN938	Ss304
14	Flange (not supplied)	S235JR

TIGHTNESS TEST:

- A) With Oil Pressure Of 1 bar, 90°C, 30'
- B) With Air Pressure Of 2.5 bar, 1min (under water)

